

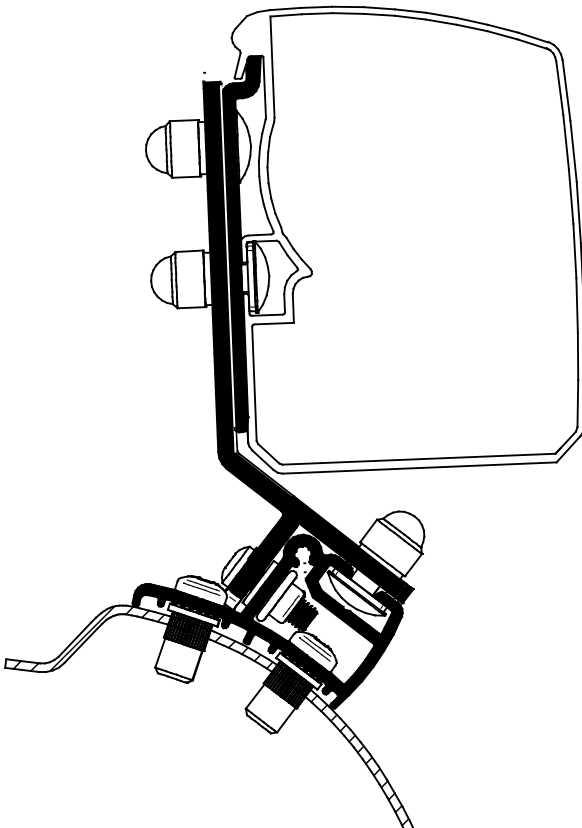
INSTALLATION

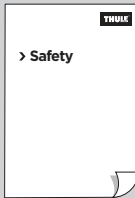
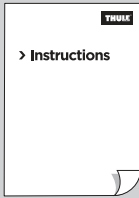


Instructions

Awning Adapter PSA Mini Van
T 3200

301918 - 301919



EN**ADAPTER - INSTALLATION INSTRUCTIONS****DE**

Adapter - Bedienungsanleitung

NL

Adapter - Gebruikershandleiding

FR

Adaptateur - Instructions d'utilisation

IT

Adattatore - manuale utente

ES

Adaptador - manual de usuario

SV

Adapter - användarmanual

FI

Adapteri - käyttöohje

DA

Adapter - brugermanual

NO

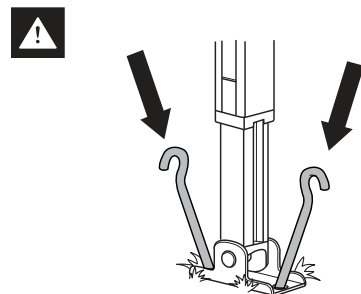
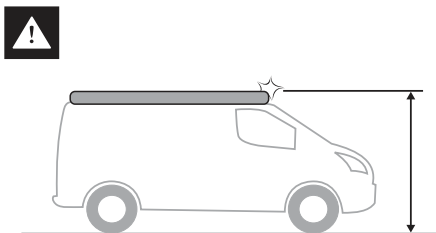
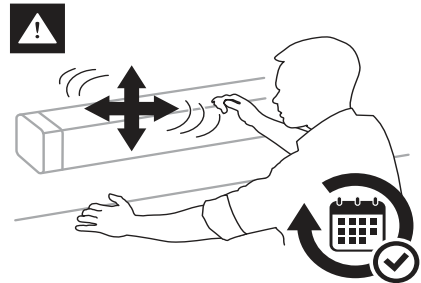
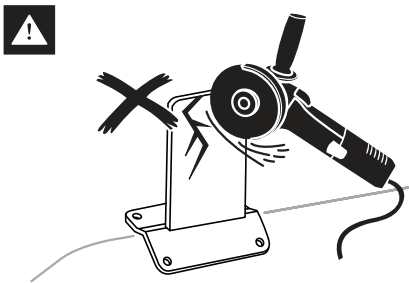
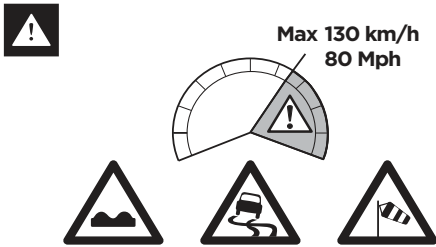
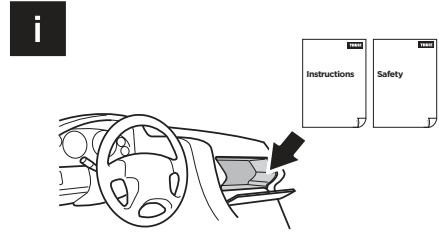
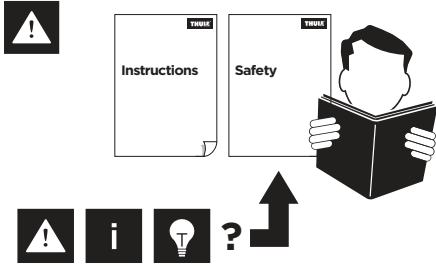
Adapter - brukerhåndbok

PL

Adapter - instrukcja obsługi

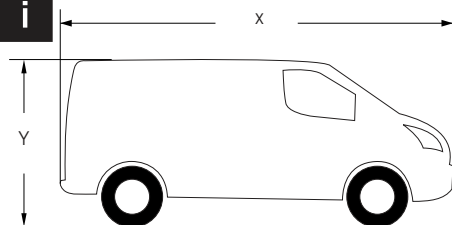
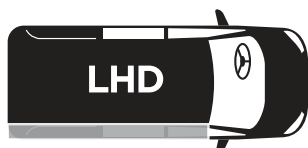
1	WARNINGS & INFO waarschuwingen & informatie / warnhinweise & informationen / avertissements et informations / avvertenze & informazioni / varningar 1 information / varoitukset & tiedot	p 4
2	FITGUIDE Fitting tabel / Anwendungstabelle / Table d'application / Guida di adattamento / applikationstabelle / sovellus taulukko	p 5
3	CONTENT inhoud / Inhalt / contenu / contenuto / innehåll / pitoisuus	p 6
4	TOOLS Gereedschap / Werkzeuge / des outils / strumento / verktyg / työkalu	p 6
5	INSTALLATIONS installaties / Installationen / installations / installazione / installationer / laitteistot	p 7

1. WARNINGS & INFO



2. FITGUIDE

BRAND	MODEL	YEAR	ADAPTER	AWNING
Citroën	SpaceTourer L2H1 LHD	2016 - ...	301918	T3200 - 2.70m
Citroën	SpaceTourer L2H1 RHD		301919	
Citroën	Jumpy L2H1 LHD		301918	
Citroën	Jumpy L2H1 RHD		301919	
Peugeot	Traveller L2H1 LHD		301918	
Peugeot	Traveller L2H1 RHD		301919	
Peugeot	Expert L2H1 LHD		301918	
Peugeot	Expert L2H1 RHD		301919	
Toyota	ProAce L2H1 LHD		301918	
Toyota	ProAce L2H1 RHD		301919	
Toyota	ProAce Verso L2H1 LHD		301918	
Toyota	ProAce Verso L2H1 RHD		301919	
Opel	Vivaro C L2H1 LHD		2019 - ...	
Opel	Zafira Life L2H1 LHD			
Vauxhall	Vivaro C L2H1 RHD	301919		
Vauxhall	Zafira Life L2H1 RHD			



X	Y
L1 4600 mm	H1 1900mm
L2 4960 mm	
L3 5310 mm	

3. CONTENT



x8
M6 x18
DIN9021
A2



x8
M6 x 9 x 24
Blind rivet nut



x4
M6
SCHNORR
A2



x8
M6 X 20
DIN603
A2



x8
M6
DIN985
A2



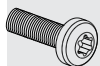
x2
19.5 x 15 x 2.5mm
Solo Bolt Plate



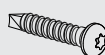
x8
M6 x 16 mm
DIN7985 TX30
A2



x8
M6



x4
M6 x 20 mm
ISO7380 TX30
A2



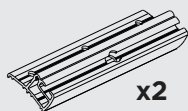
x4
4.2 x 16 mm
ISO7380 TX30
A2



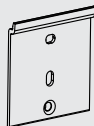
x4
19.5 x 15 x 1.5mm
Solo bolt plate



x2
Right



x2

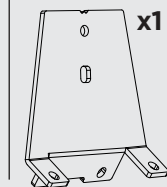


x2

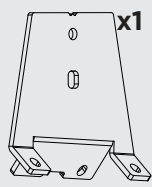


x4

LHD 301918

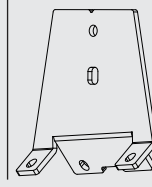


x1

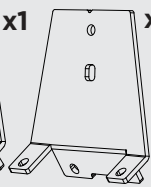


x1

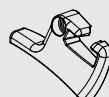
RHD 301919



x1

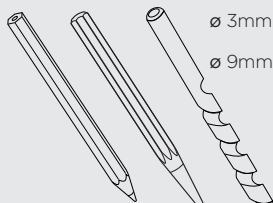


x1



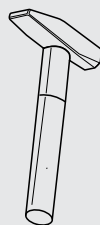
x2
Left

4. TOOLS



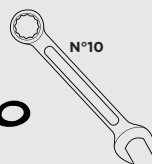
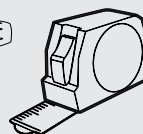
∅ 3mm

∅ 9mm



TX20

TX30

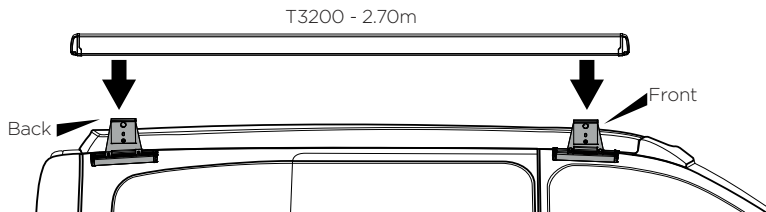


5. INSTALLATION

i

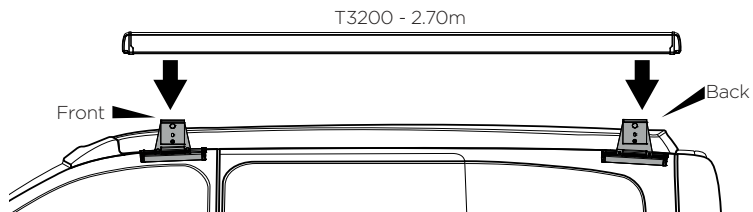
LHD

301918

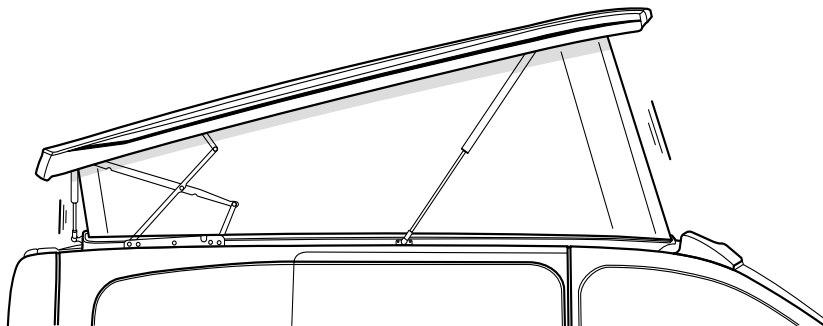
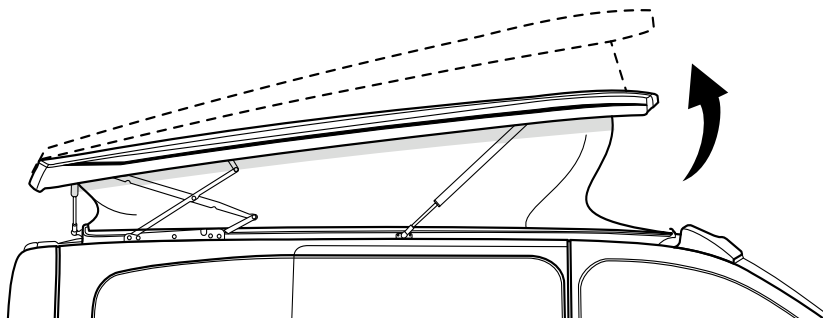


RHD

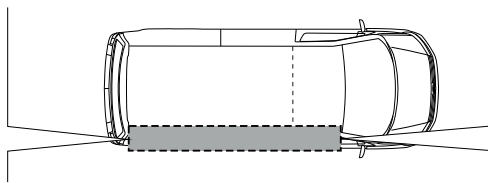
301919



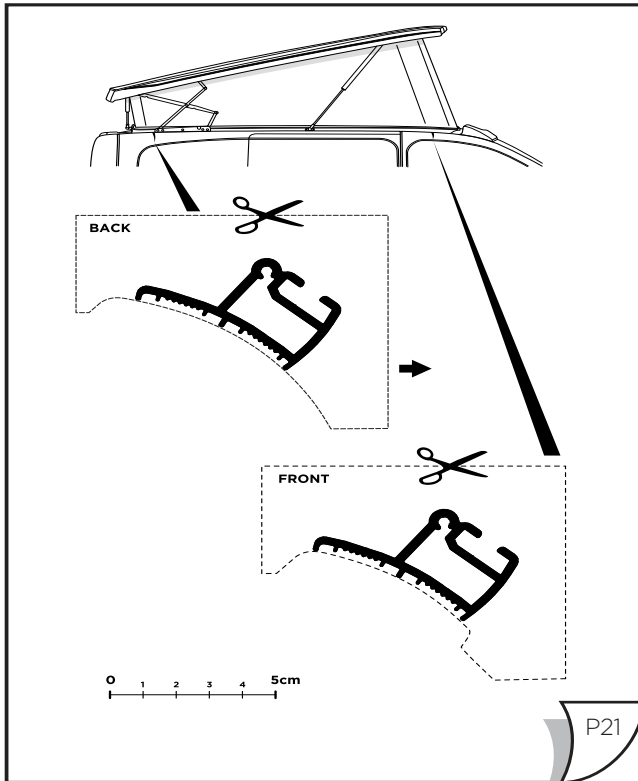
1

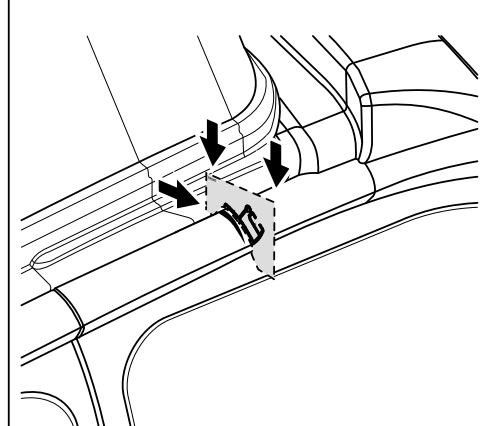
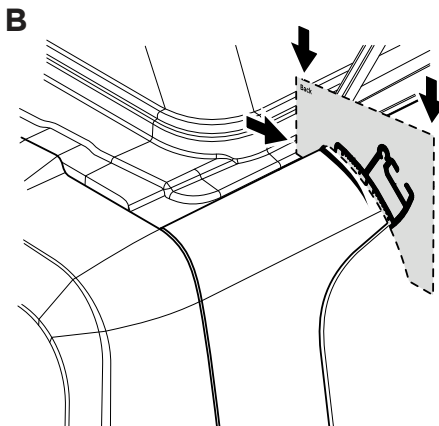
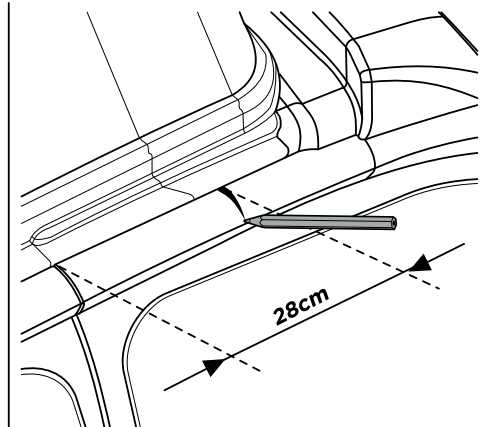
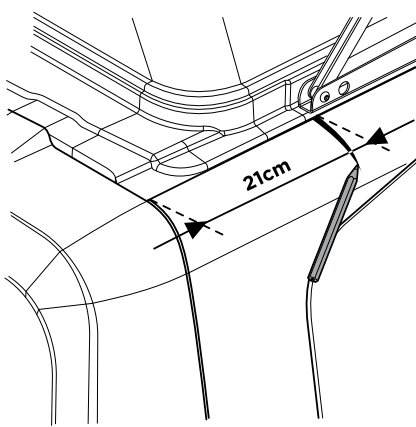
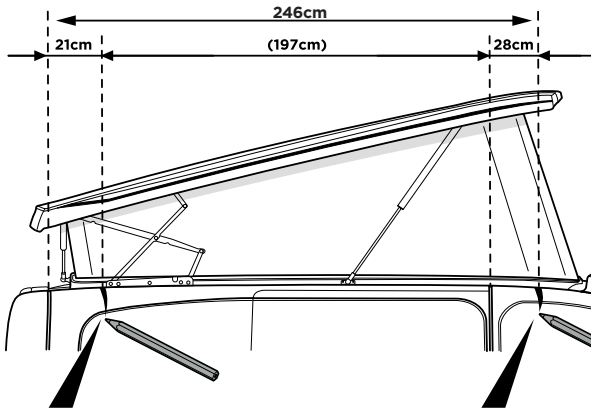
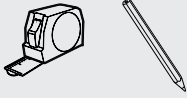


2

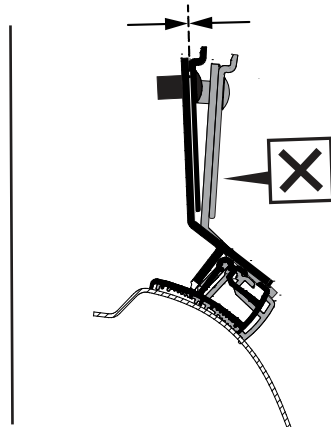
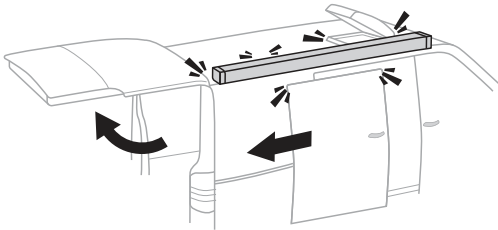
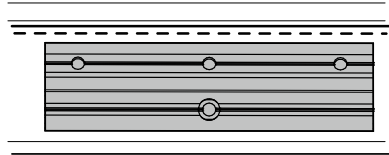
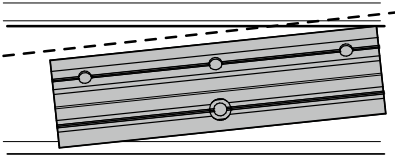
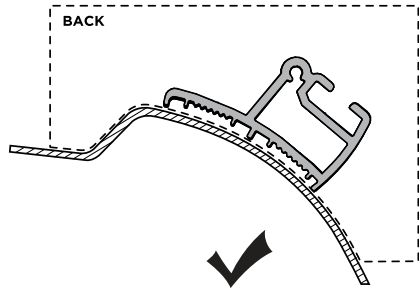
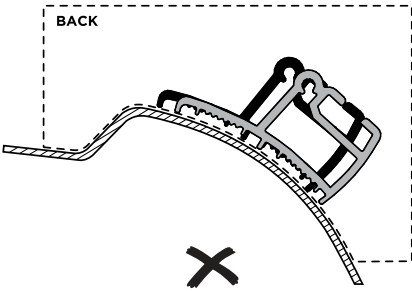
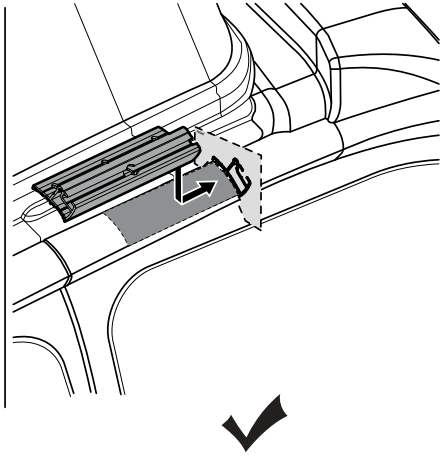
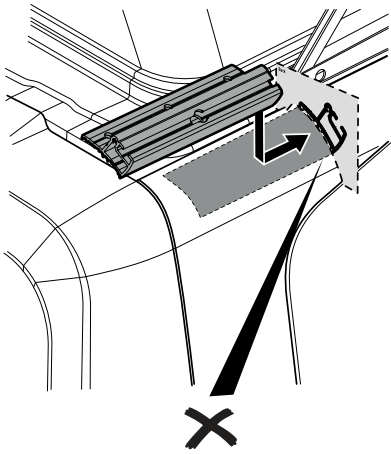


3

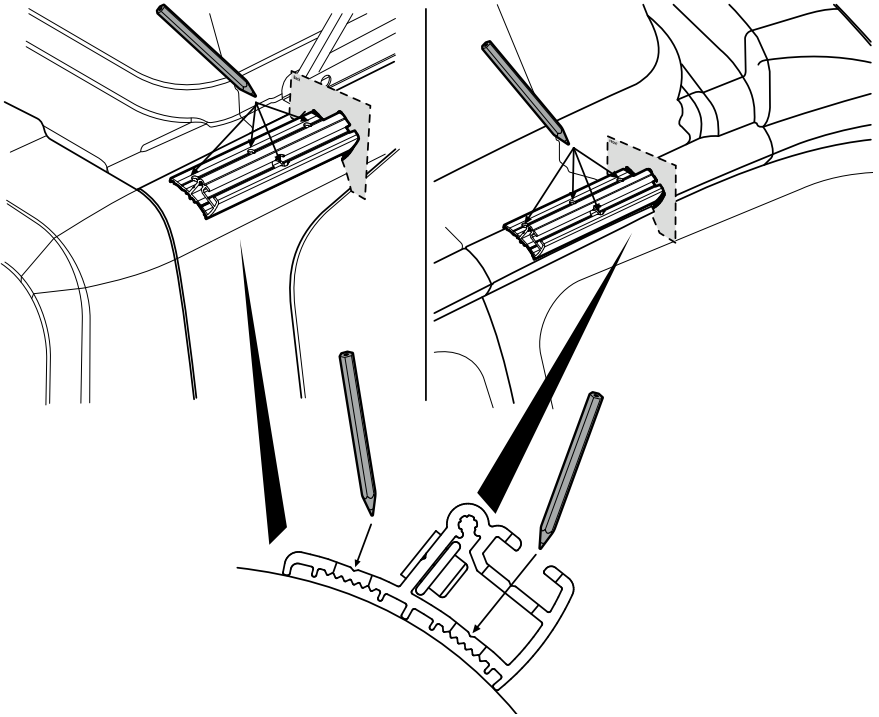




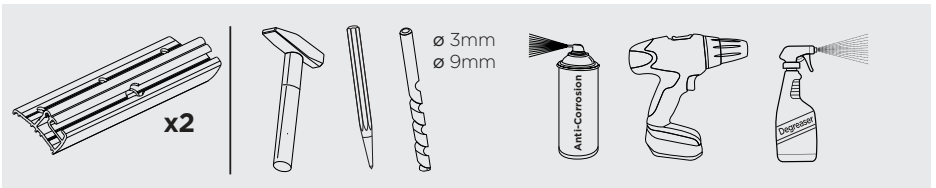
C



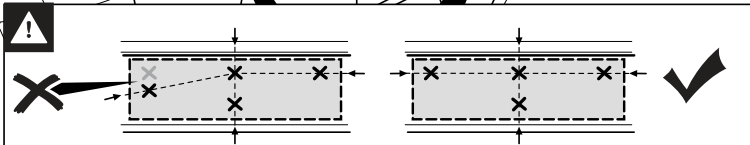
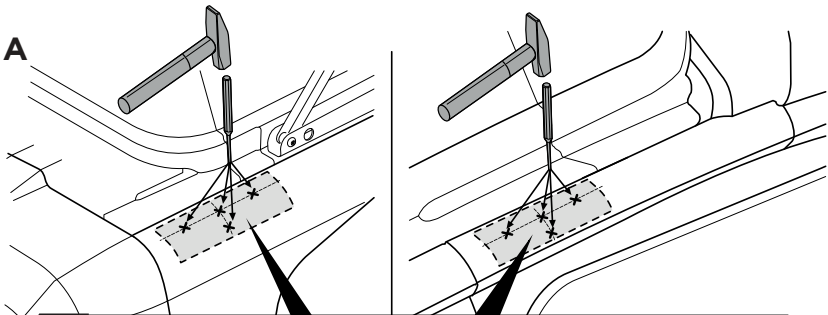
D

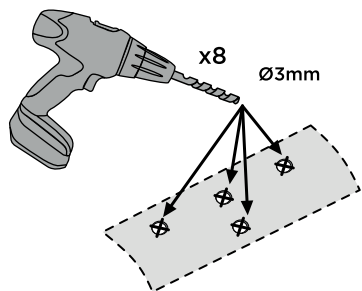
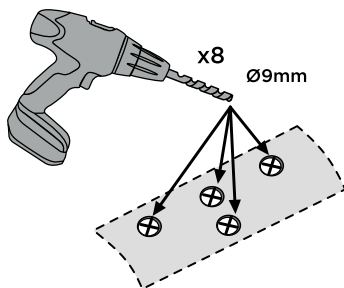
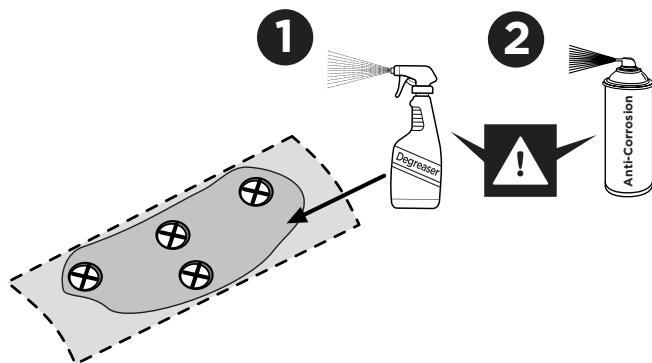
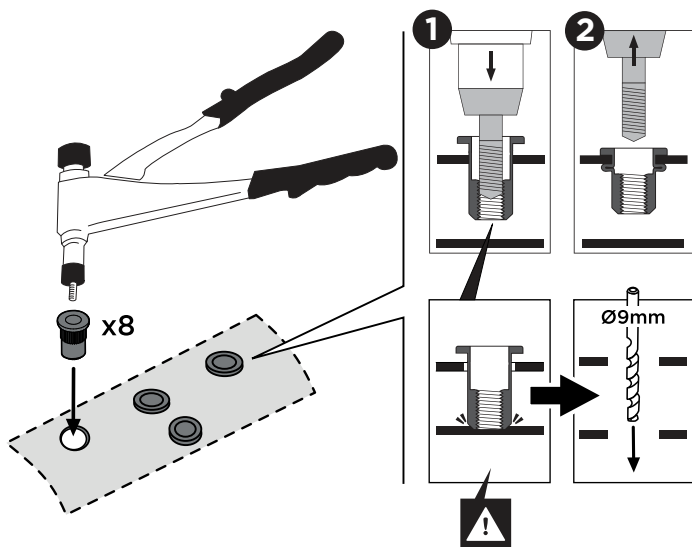


5

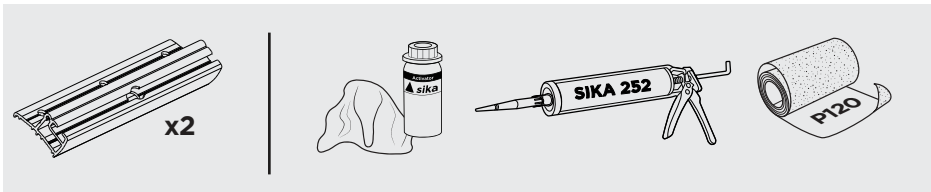


A

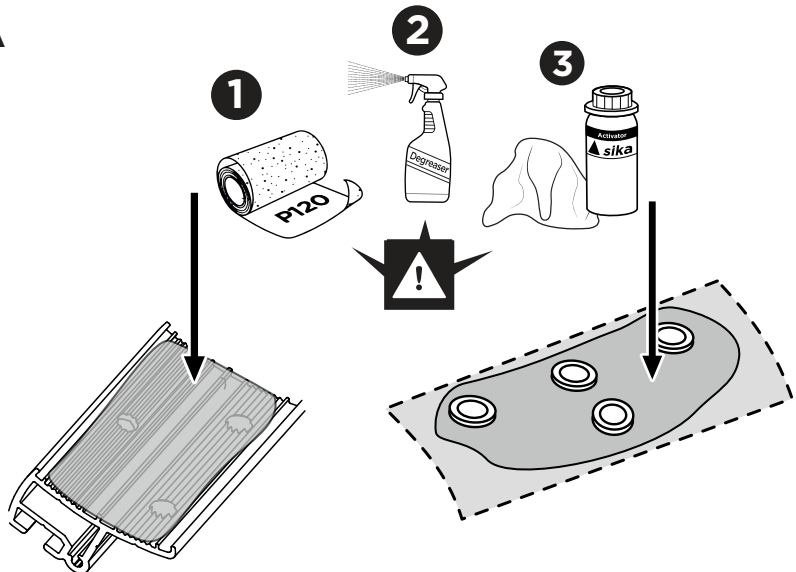


B**C****D****6**

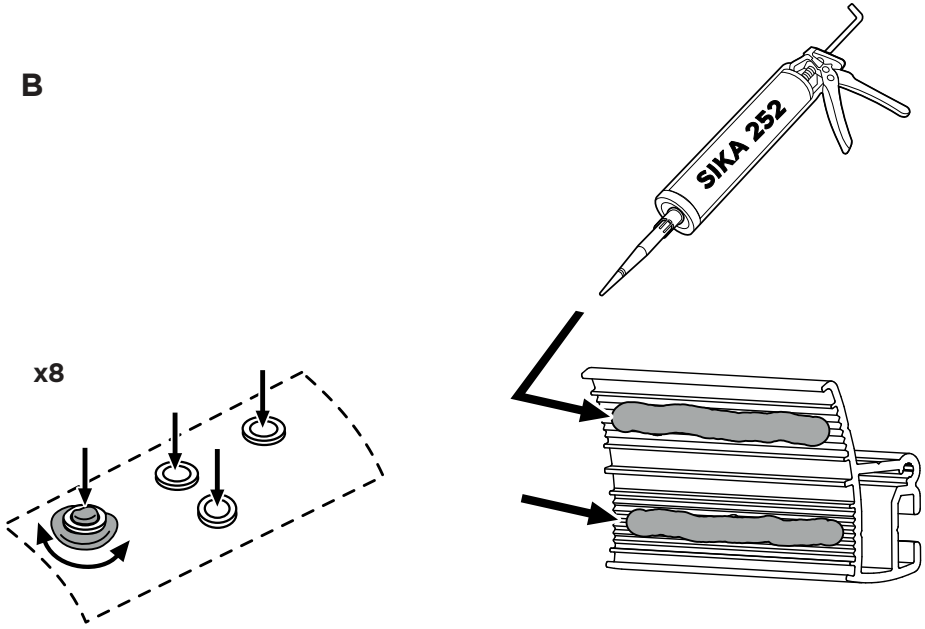
7



A



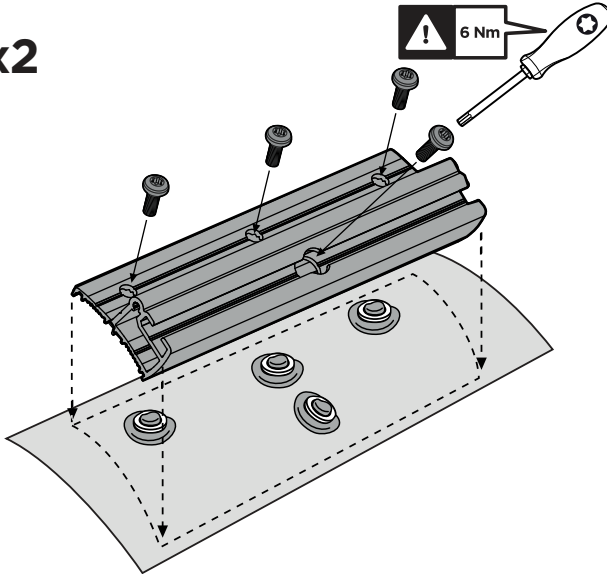
B



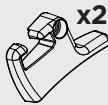
8



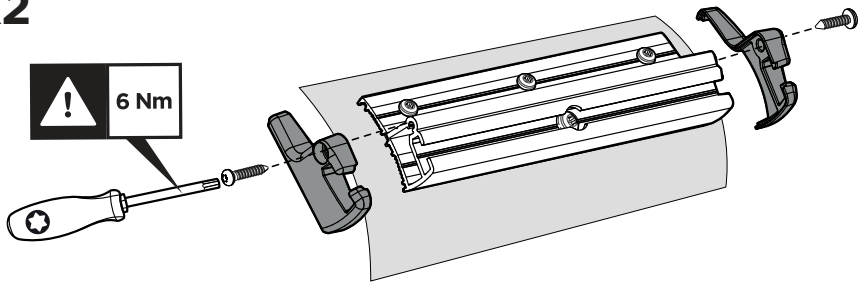
x2



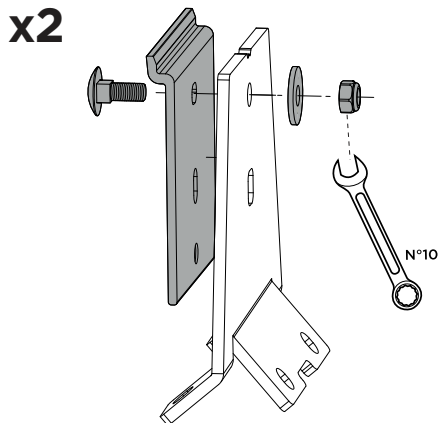
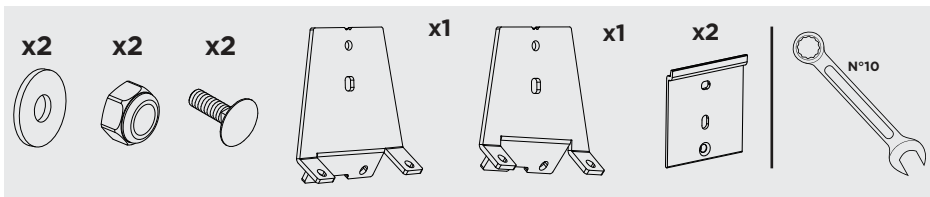
9



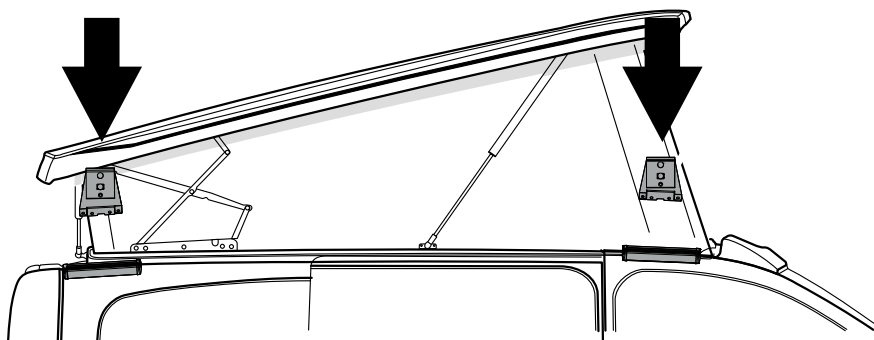
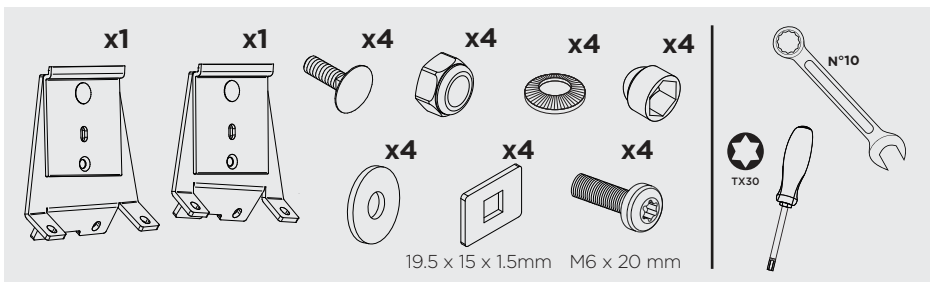
x2



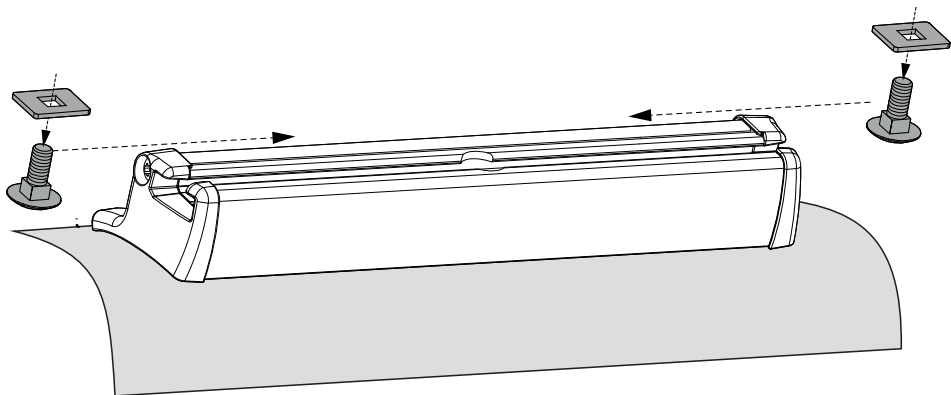
10



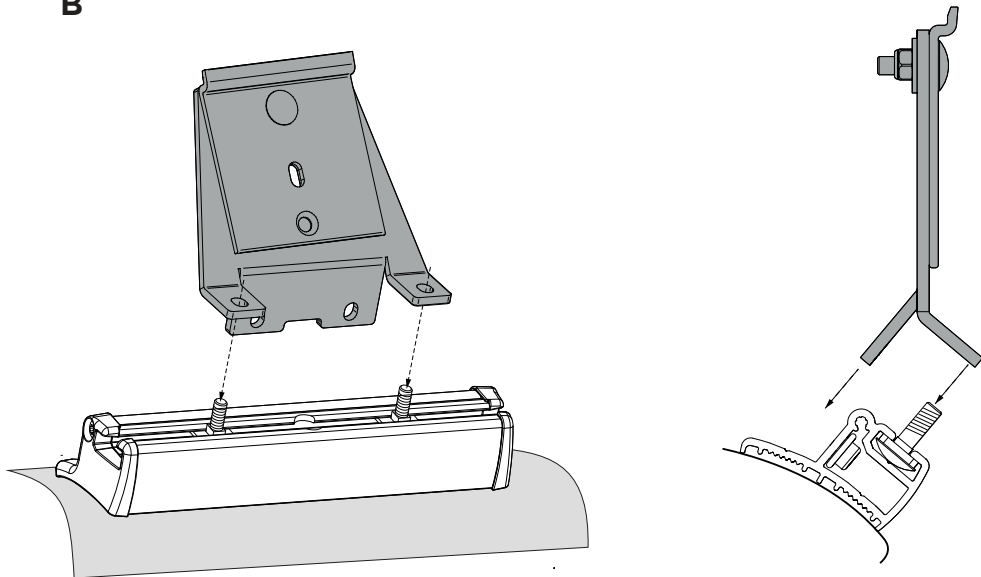
11



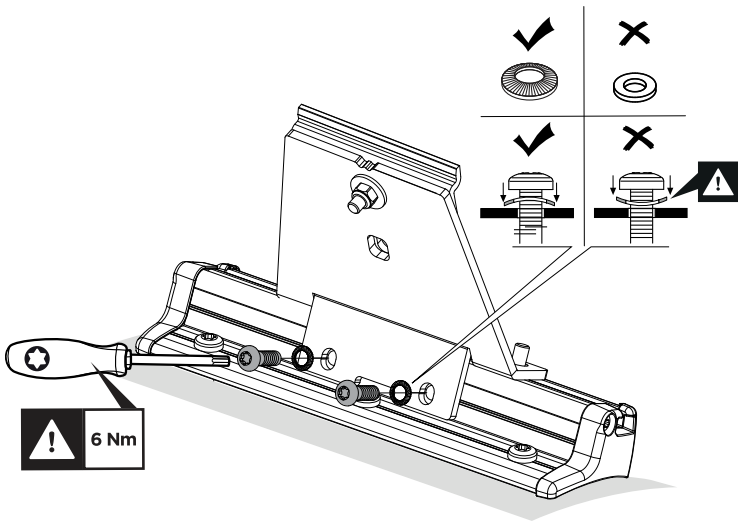
A



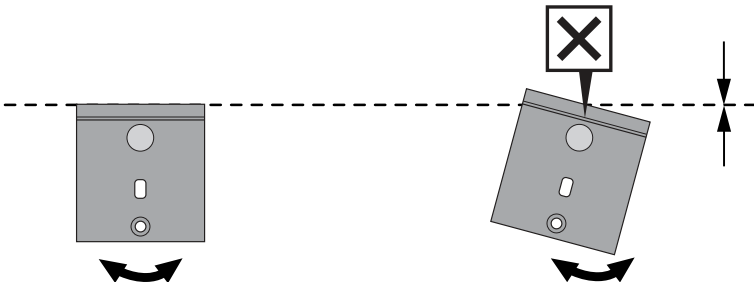
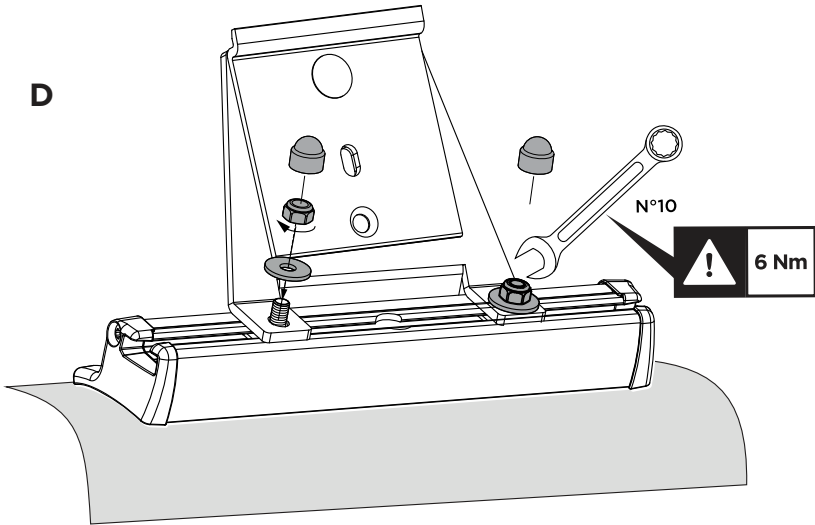
B



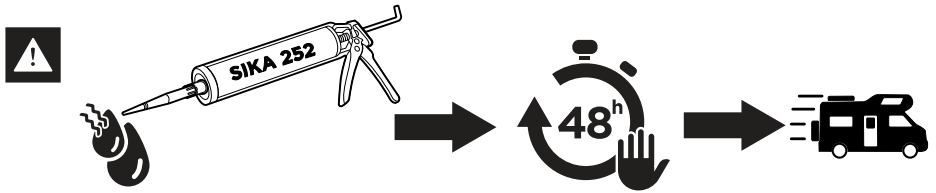
C



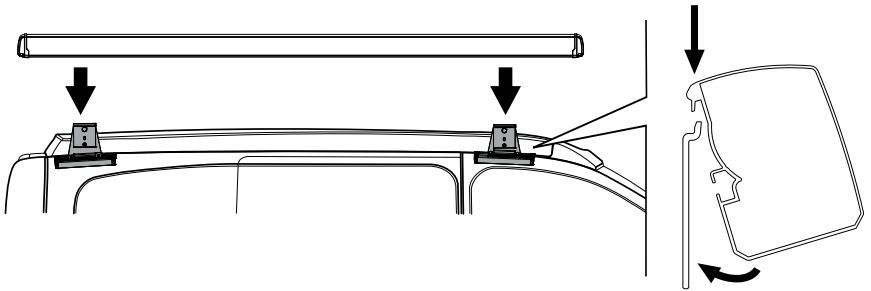
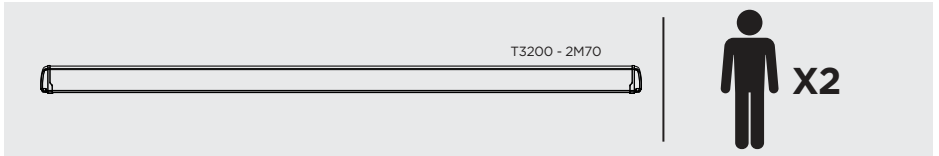
D



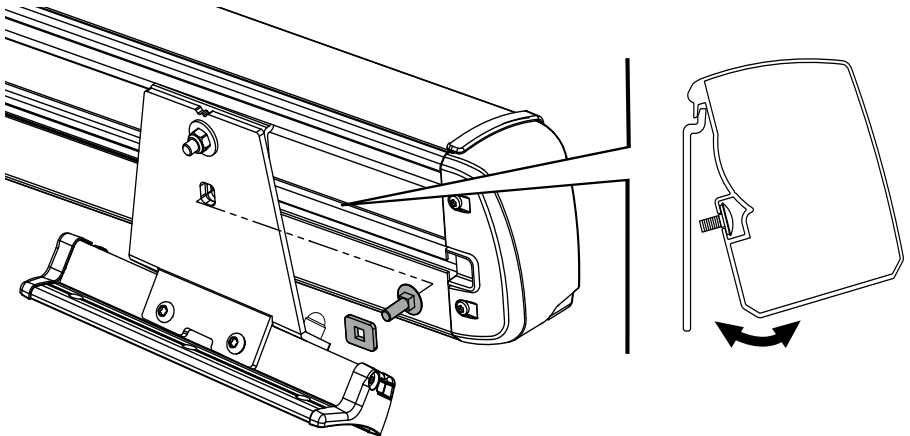
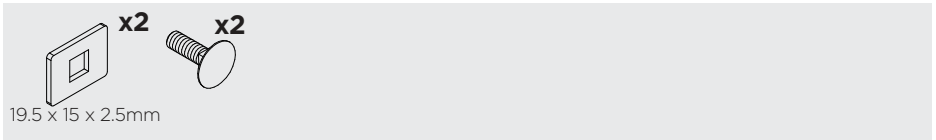
12



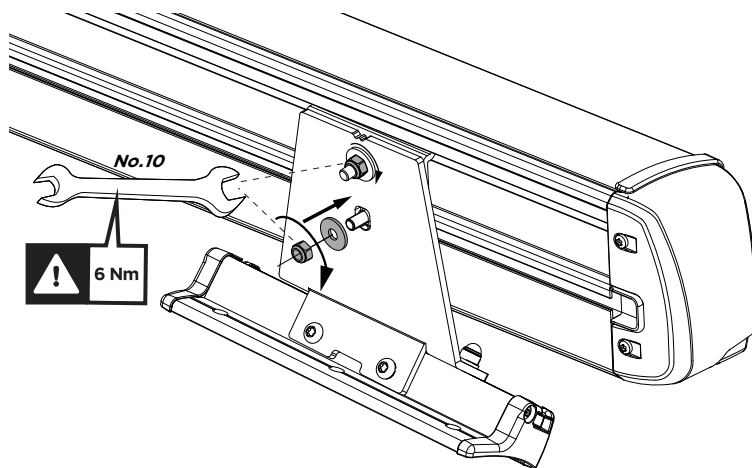
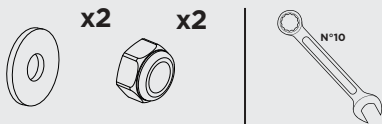
13



14



15



16

